

Fig. 655

- Ventilation valve for pipelines, condensing vapour (steam) or liquid systems, where the system pressure should not fall below the atmospheric pressure.
- Vertical position, cap on top.
- System connection downwards.

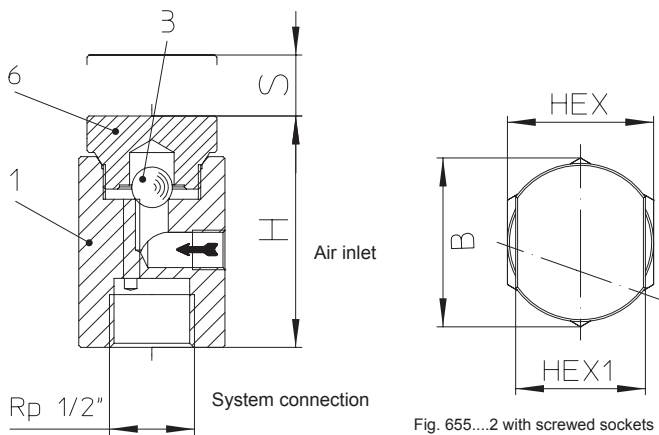
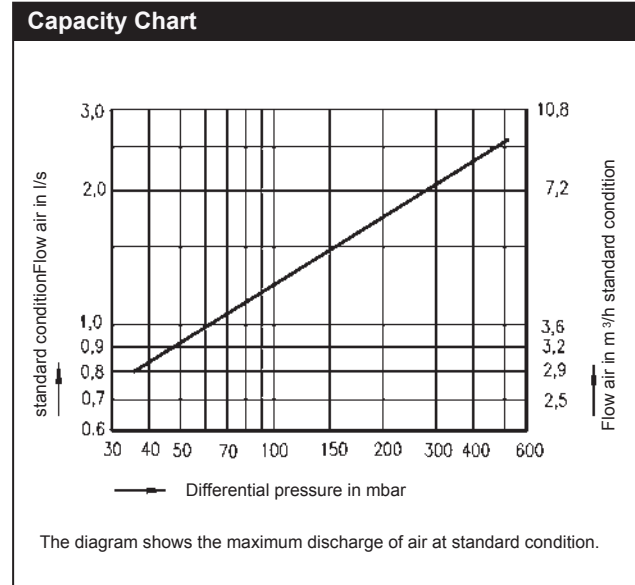


Fig. 655...2 with screwed sockets



Types of Connection	
System connection...2	Rp 1/2 (acc. to DIN EN10226-1)
Air inlet	Rp 1/8 (acc. to DIN EN10226-1)
A dropping line can be connected.	
The line has to be led to an outlet.	

Operating Limits		
Fig. 55.655	PN40 - 1.4301	
Operating Pressure PS (bar-g)	13	21
Operating Temperature TS (°C)	400	220

Technical Data	
Operating Pressure	7 mbar
Kvs-value	0.55 m³/h

Dimension		
Dimensions and Weights		Types of connection
		System connection
Nominal diameter	(in)	Rp 1/2"
H	(mm)	57
B	(mm)	42
S	(mm)	10
HEX	(mm)	36
HEX 1	(mm)	32
Weight approx.	(kg)	0.38

Material		
Pos.	Description	Fig. 55.655
1	Body	X5CrNi18-10, 1.4301
3	Ball	X20Cr13+Qt, 1.4021+QT
6	Cap	X17CrNi16-2, 1.4057

*last updated 10/16